



- Capacities 50 - 1000 kg
- Anodized Aluminium (614) or Nic Plated Alloy Steel (615) or Stainless Steel (616) construction
- IP67 protection
- For use in tension or compression
- 6 wire (sense) circuit
- Model 615 output standardised to $\pm 0.1\%$

Models 614, 615 and 616 are tension-compression load cells which share the same dimensions. Humidity resistant coating and shielded cables enable these load cells to be used in harsh environments while maintaining their operating specifications.

The additional sense wires compensate for changes in lead resistance due to temperature change and/or cable extension.

Ideally suited for lever conversions, hanging scales, force measurement and a wide range of other industrial applications.

Model 616 is made from stainless steel and has bonded covers for additional protection (except 50kg). Alternative lower cost versions are made from aluminium (model 614) or alloy steel (model 615), with rivetted covers.

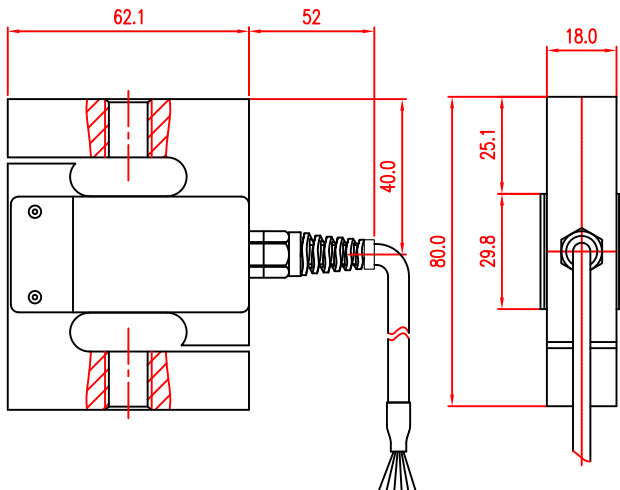
Model 614 from 50 - 300 kg and models 615/616 from 50 - 1000 kg.

614 / 615 / 616 SPECIFICATION

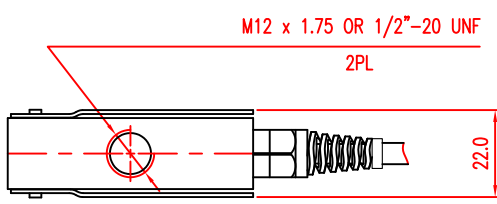
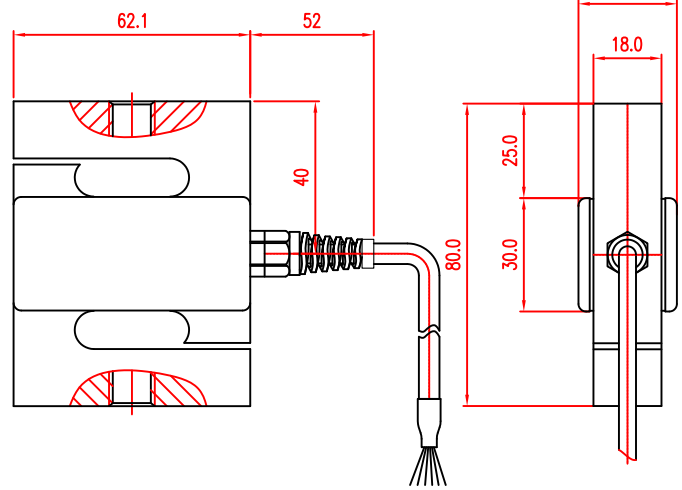
GRADE	E	F	G	UNITS
Rated Capacities	50, 100, 150, 200, 300, 500*, 750*, 1000*			kg
Rated Output	2.0 ± 10% (2.0 ± 0.1% for Model 615)			mV/V
Total Error	0.05	0.03	0.02	±% of Rated Output
Zero Return after 30 mins	0.05	0.03	0.017	±% of Applied Load
Temperature Effect : On Output	0.003	0.0014	0.0012	±% of Applied Load/°C
: On Zero	0.01	0.006	0.004	±% of Rated Output/°C
Zero Balance	10			±% of Rated Output
Temperature Range : Operating	-30 to +70			°C
: Compensated	-10 to +45			°C
Safe Overload	150			% of Rated Capacity
Ultimate Overload	300			% of Rated Capacity
Excitation : Recommended	10			Volts AC or DC
: Maximum	15			Volts AC or DC
Input Impedance	Model 614: 415 ±20, Model 615: 400 ±20, Model 616: 385 ±15			Ohms
Output Impedance	350 ± 3			Ohms
Insulation Impedance	> 2000			MegaOhms
Deflection at Rated Capacity	< 0.4			mm
Weight	Model 614 : 0.4		Model 615/616 : 0.58	kg
Construction	614: Anodised aluminium 615: Nickel plated alloy steel 616: Stainless steel			
Environmental Protection	IP67			
Cable	Model 614/615 : 3 metres, 6-wire, 26 AWG, braid shield, PVC jacket Model 616 : 3 metres, 6-wire, 26 AWG, braid shield, polyurethane jacket			

* Not available in model 614

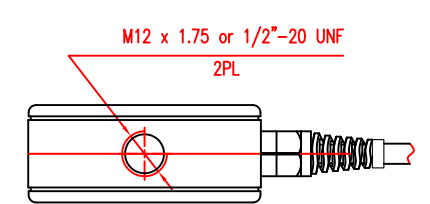
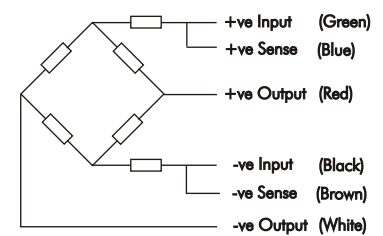
Dimensions - Models 614, 615 and 616-50 kg only



Dimensions - Model 616 except 50 kg



Wiring Schematic Diagram (Balanced bridge configuration)



All dimensions in mm

Due to Tedeia-Huntleigh's policy of continuous development, these specifications are subject to change without notice. Tedeia-Huntleigh is the world's leading manufacturer of high quality, high accuracy load cells in volume production. Our manufacturing facilities are ISO 9000 registered. For further details please contact Tedeia-Huntleigh or your local distributor, or visit our website at:

<http://www.tedeia-huntleigh.com>

Europe

Tedeia-Huntleigh Europe Ltd.
37 Portmanmoor Road,
Cardiff
CF24 5HE
United Kingdom.
Tel: +44(0)29-20460231
Fax: +44(0)29-20462173

International

Tedeia-Huntleigh International Ltd
5 Hazoran St,
New Industrial Zone
P.O. Box 8381, Netanya 42506,
Israel.
Tel: +972-9-863-8888
Fax: +972-9-863-8800

China

Beijing Tedeia-Huntleigh.
No. 16 Hong Da Bei Lu,
Da Xing County, Beijing Economic
& Technology Development Area,
Beijing 100176. China
Tel: +86-10-67881604-09
Fax: +86-10-67881576

Germany

Tedeia-Huntleigh GmbH.
Mümlingweg 18
D-64297
Darmstadt-Eberstadt,
Germany.
Tel: +49-6151-94460
Fax: +49-6151-944640

USA

Tedeia-Huntleigh Incorporated.
20630 Plummer Street,
Chatsworth,
California, 91311.
USA
Tel: +1-818-701-2700
Fax: +1-818-701-2799

France

SEEA sa.
16 Rue Francis Vovelle
28000 Chartres,
France.
Tel: +33-2-37-33-31-20
Fax: +33-2-37-33-31-29

TEDEA th
HUNTLEIGH
EXCELLENCE IN LOAD CELLS