

ACA/G and ACZ/G series

- high weighing accuracy
- very good indication readability
- indication backlight
- automatic internal calibration (ACA)
- RS232C, USB-B and USB-A interfaces for printer, computer, label printer, barcode reader and USB flash drive (pendrive)



Laboratory balances ACA/G and ACZ/G series are designed for use in laboratories, pharmacies, jewelry and research institutes where high accuracy of measurement is required.

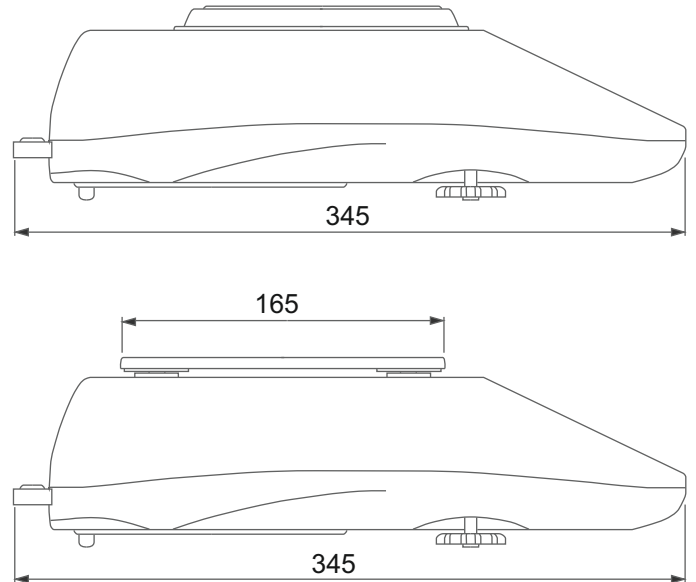
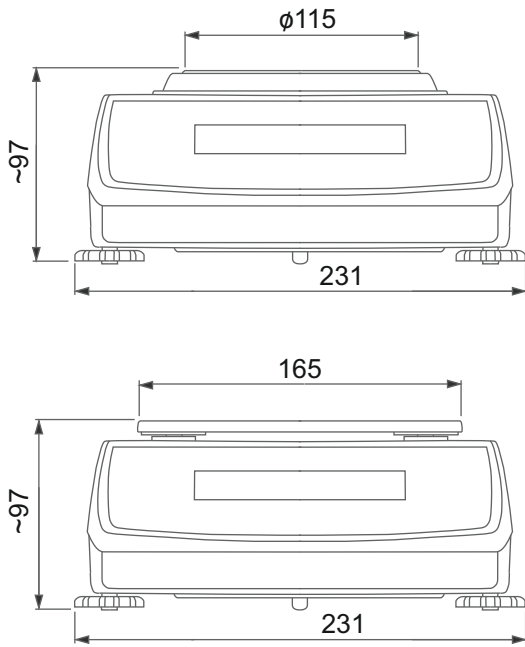
external calibration	products and users database	unit selection	animals weighing
internal calibration	measurements database	multilanguage	density measurement
GLP compatibility	date/time	weighing speed selection	force measurement
	printout config.	threshold/selection	recipe
	pieces counting	max weight	statistics
	percentage	min weight	
	summation	alibi memory	

Options on demand



Under hook weighing Protective cover Glass draft shield ACA hydro set

- hook for under-hook weighing
- protective cover
- glass draft shield
- ACA hydro set to measure density of liquids and solids
- LAN or Wi-Fi to work with computer
- barcode reader interface (RS232C+supply)
- computer software : Statistics *freeware* , Communication *freeware* - saving to file, ProCell - export to Excel



Technical data

Balances with int. calib.	ACA1020G		ACA6200
Balances without int. calib.	ACZ1020G		ACZ6200
Capacity (Max)	1020g		6200g
Reading unit (d)	0,001g		0,01g
Verification unit (e)	0,01g		0,1g
Tare range	-1020g		-6200g
Accuracy class	II		
Repeatability	0,001g		0,02g
Linearity	± 0,002g		± 0,02g
Working temperature	+10 ÷ +40°C		
Weighing time	<3s		
Pan size	φ115mm	165x165mm	195x195mm
Display	graphical 110x35mm		
Dimensions (with legs)	231x345x97mm		
Interfaces	RS232, USB-B, USB_A options: LAN or Wi-Fi		
Units	mg, g, kg, ct, lb, oz, ozt, gr, dwt		
Power supply	~230V 50Hz 9VA / =12V 1,2A		
Balance weight	4kg		
Recommended std. of mass	E2 1000g		F1 5000g

Balances with verification option **M**